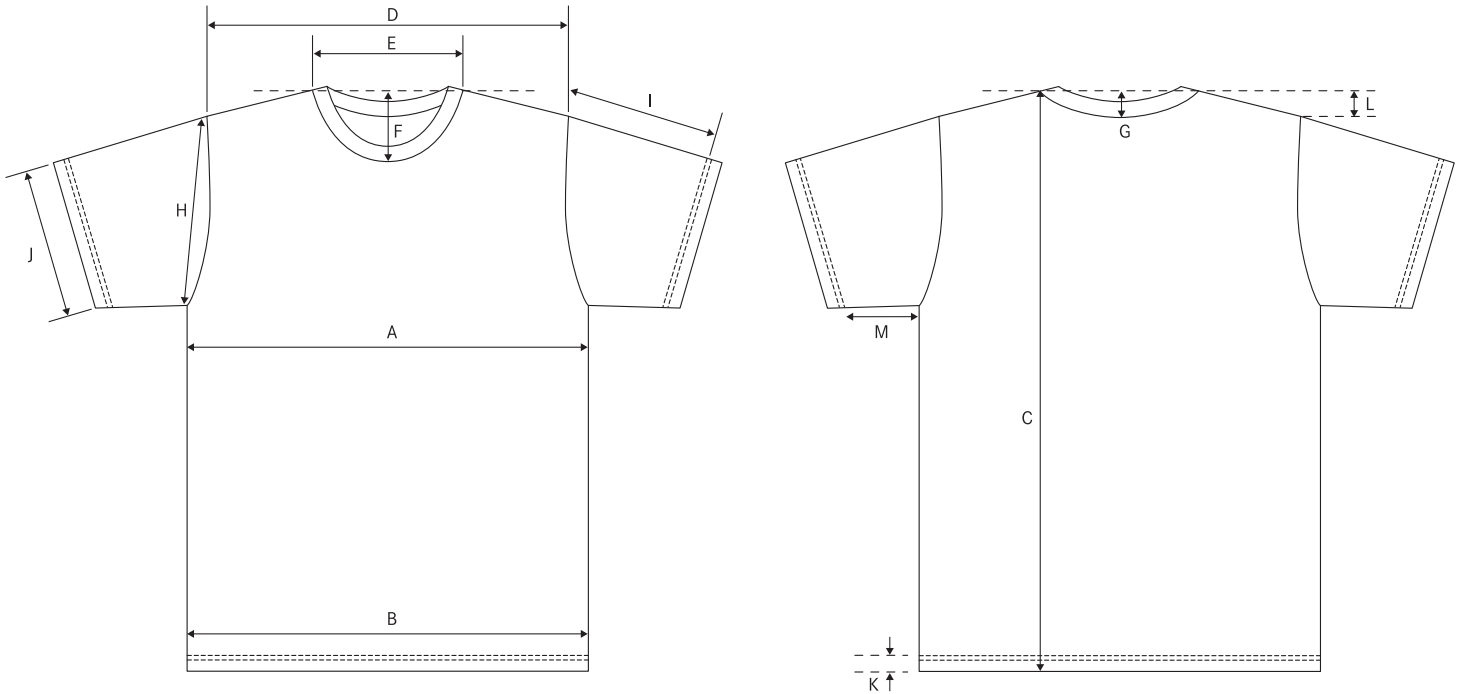


GARMENT INFORMATION

BRAND	DIVISION
STYLE NAME	STYLE NUMBER
FABRIC	SIZES



DESCRIPTION	TOL	XS	S	M	L	XL	2X	3X
A CHEST WIDTH - 1" BELOW ARM	1/2	16	18	20	22	24	26	28
B BOTTOM SWEEP	1/2	16	18	20	22	24	26	28
C BODY LENGTH (HPS)	1/2	27	28	29	30	31	32	33
D ACROSS SHOULDER	1/2	14	16	18	20	22	24	26
E NECK WIDTH	1/4	7	7 1/4	7 1/2	7 1/2	7 3/4	7 3/4	8
F FRONT NECK DROP	1/8	3 1/4	3 1/2	3 1/2	3 3/4	3 3/4	4	4
G BACK NECK DROP	1/8	1/2	1/2	1/2	1/2	1/2	1/2	1/2
H ARM HOLE	1/4	8 1/2	9	9 1/2	10	10 1/2	11	11 1/2
I SLEEVE LENGTH	1/2	7	7 1/2	8	8 1/2	9	9 3/4	10
J SLEEVE OPEN	1/2	6 1/2	7	7 1/2	8	8 3/4	9 1/2	9 1/2
K HEM HEIGHT	1/2	3/4	3/4	3/4	3/4	3/4	3/4	3/4
L SHOULDER SLOPE	1/4	1 1/4	1 1/4	1 1/2	1 1/2	4 3/4	1 3/4	1 3/4
M UNDERARM	1/4	3 1/4	3 1/4	3 3/4	4 1/4	4 3/4	5 1/4	5 1/4